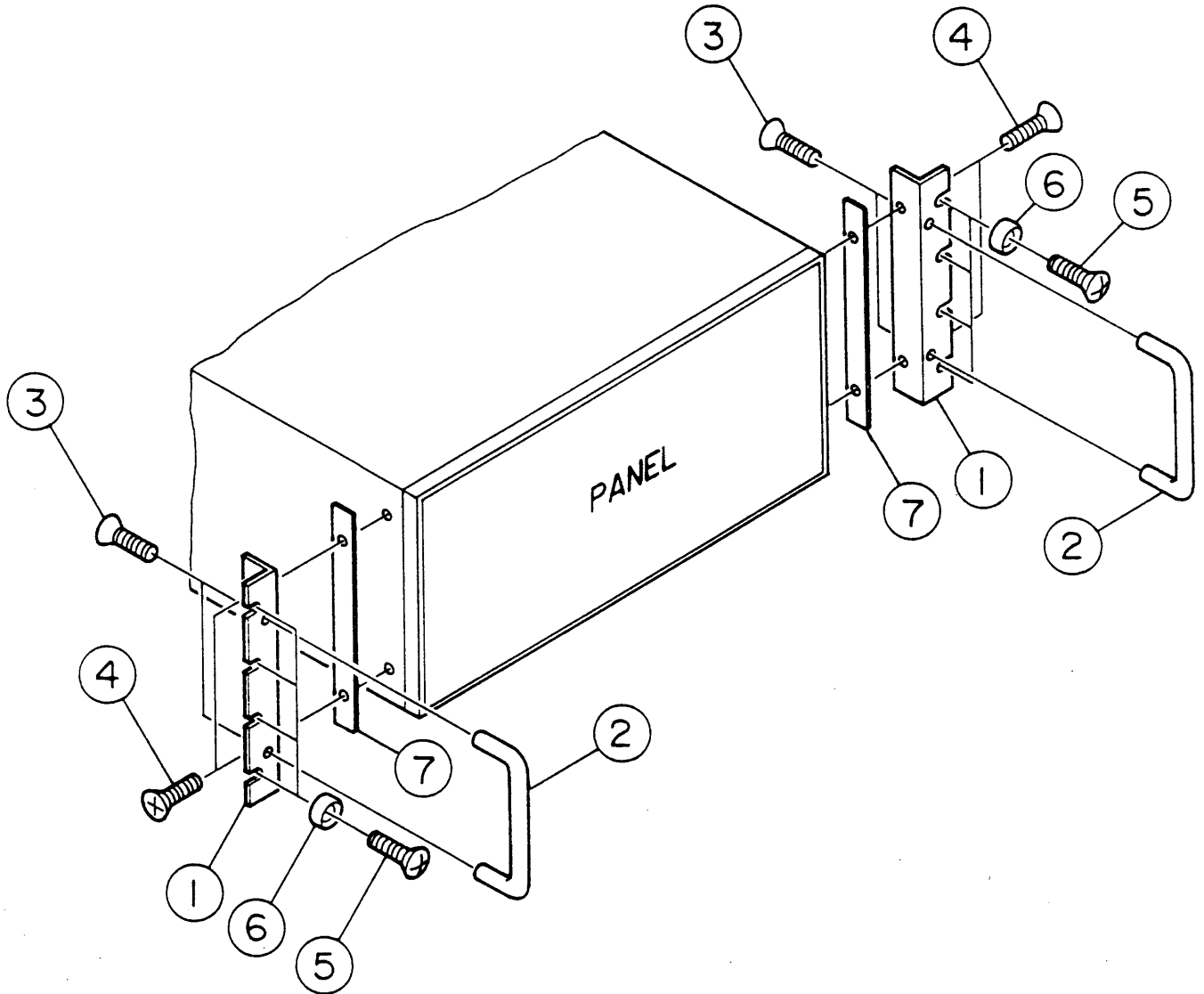


BRACKET BH4M-TOS



NO.	DESCRIPTION	QTY	CODE NO.
1	BRACKET BH4M-TOS	2	B9-986-401
2	HANDLE THA-31-SUS-F-6 CODE3884	2	E6-070-101
3	SCREW,FLAT HEAD M5x08x10 S-ZMC2	4	M2-001-191
4	SCREW,FLAT HEAD M4x07x12 S-ZN	4	M2-001-381
5	SCREW, OVAL HEAD M5x08x14 B-NI	8	M2-002-091
6	FINISHING WBSHER 5CW	8	M5-003-031
7	SPACER BH4M-TOS	2	Q3-986-401